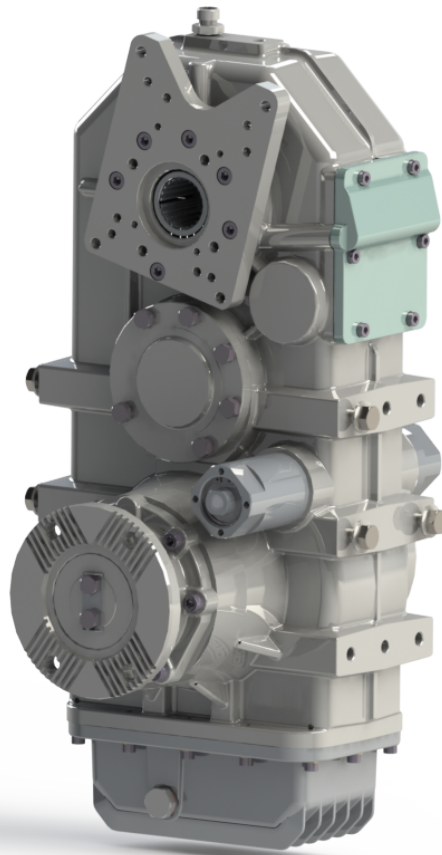


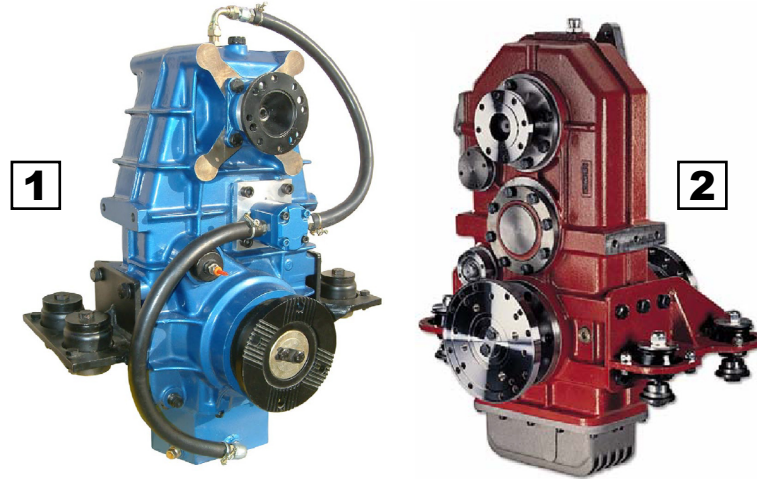


**TECHNICAL SHEET**



**VERTICAL SPLIT  
POWER TAKE OFF**

## Description



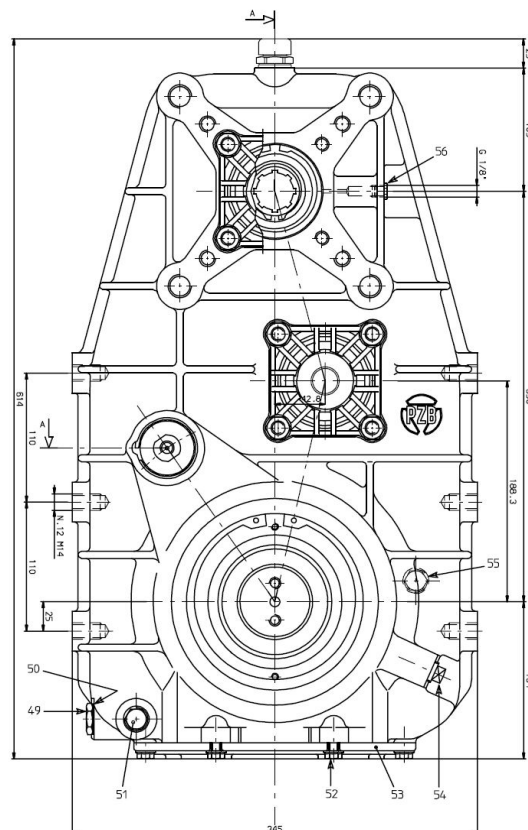
### (1) Vertical Total split pto without pneumatic clutches

Vertical Total Split Pto for hydraulic or mechanical application systems, with rubber shock absorber , split pto supports and side fitting plates. Max couple main transmission 30.000 Nm. Without clutch exits, for mechanical or hydraulic application, 1 auxiliary exit for services. With automatic lubricate oil pump.

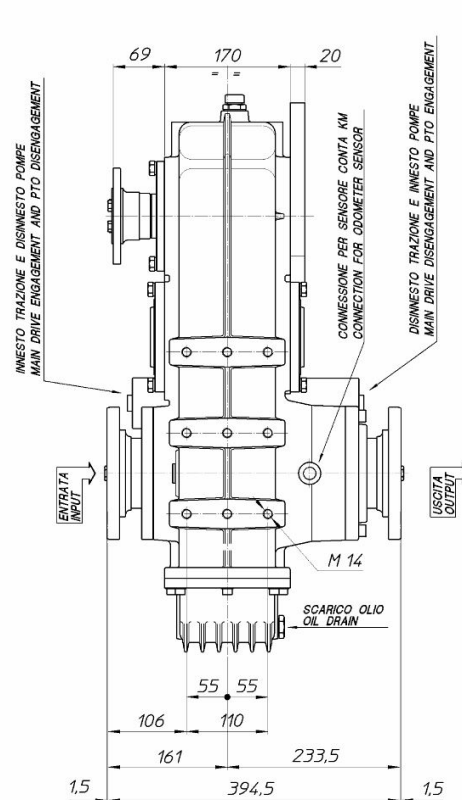
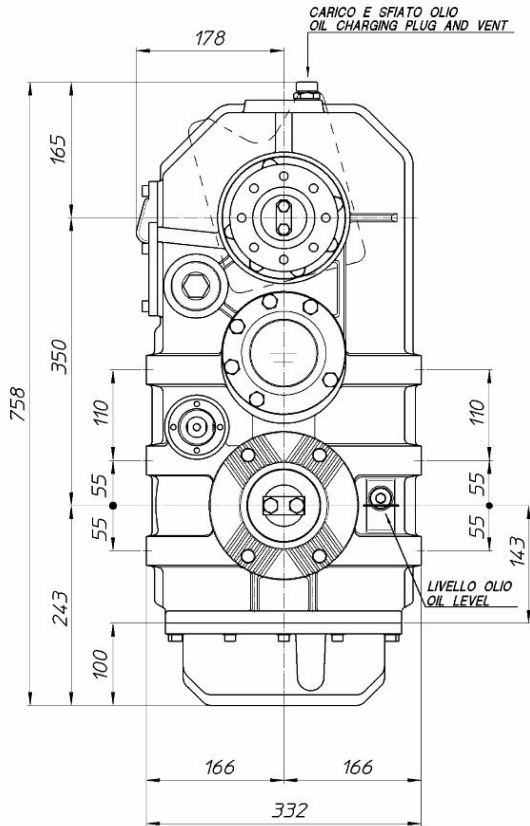
### (2) Vertical Total split pto with pneumatic clutch automatic lubricate oil pump

Vertical Total Split Pto for hydraulic or mechanical application systems, with rubber shock absorber , split pto supports and side fitting plates. Max couple main transmission 30.000 Nm. With one rear pneumatic clutch exit for mechanical or hydraulic application, 1 auxiliary exit for services. With pneumatic clutch swivel and rpm sensor. With automatic lubricate oil pump system and heat exchanger.

## Dimensions



1



**2**

## Technical data

### VERTICAL TOTAL SPLIT PTO WITHOUT PNEUMATIC CLUTCHES

**1**

#### MAIN DRIVE

Maximum continuous torque	19.600 Nm
Maximum speed	2.200 rpm

### VERTICAL TOTAL SPLIT PTO WITH PNEUMATIC CLUTCH AUTOMATIC LUBRICATE OIL PUMP

**2**

#### MAIN DRIVE

Maximum continuous torque	21.000 Nm
Maximum instantaneous torque	30.000 Nm
Maximum speed	3.200 rpm

#### AUXILIARY OUTPUTS

Maximum power available at shaft	290 kW	
Maximum torque available at shaft	2.000 Nm	
Available drive ratios	1 (1,000)	0,8 (1,25)
Maximum output speed	2.200 rpm	
Direction of rotation	According to the engine	
Power take-off operational with vehicle	Stationary or In motion	

## Main features

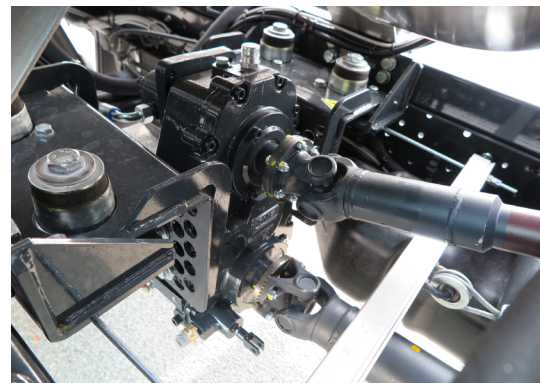
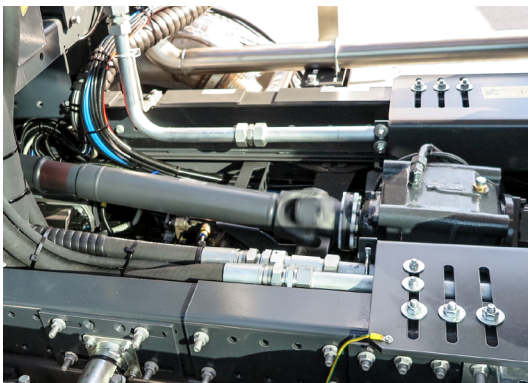
### (1) Vertical Total split pto without pneumatic clutches

- Inserted in the driveshaft between gearbox and rear axle / Max torque on PTO output shaft: 225 kgm peak torque, 200 kgm of standard operating torque at 1500 rpm.
- Two - one to front, one to rear - independently shiftable PTO's for hydraulic pumps or prop-shaft drive. Upper cardan output applications on the front or rear side with torque: 190 peak, 170 kgm operating torque at 1500 rpm. Standard upper cardan output applications with torque: 130 kgm peak, 110 kgm operating torque at 2000 rpm.
- "Constant-mesh" output options on request and clutch unit capable of 60 kgm suitable for "constant-mesh" output direct mounting
- Two auxiliary PTO outputs available on request off the idler shaft with independent engagement
- Auxiliary power available with the vehicle in motion and drive connection to rear axle independent on PTO operation

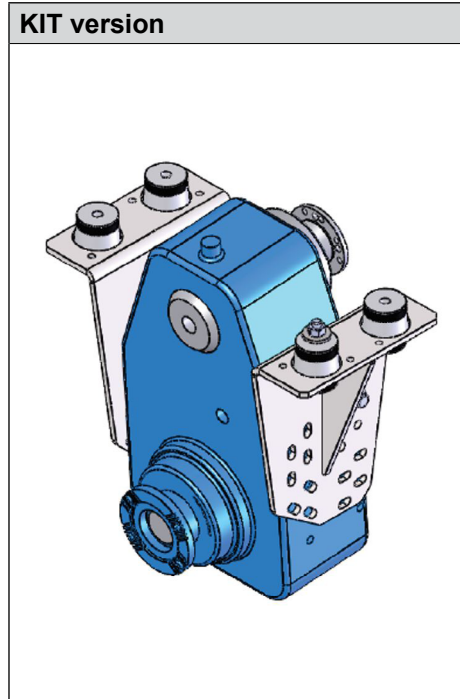
### (2) Vertical Total split pto with pneumatic clutch automatic lubricate oil pump

- PFT 3000/4AV-E is a power take off with dimensional characteristics and performances suitable for driving pumps and compressors installed on vehicles by means of cardan shafts. The flange for cardan shaft can be installed both on the differential and on the gearbox side. On the opposite side there is a flange that can be used for the direct installation of hydraulic pumps.
- Model 4AV-E is an evolution of the PFT 3000/4AV. The helical gears of the 4AV-E have further improved the transmissible power and the overall silence of the group.
- For high power intakes and particularly hot weather conditions, it may be necessary to apply a fan or an exchanger to the outlet flange of the power take off. In the latter case, it is possible to install a pump for forced lubrication on the intermediate shaft.
- The actuation of the main outputs on top and of any lubrication pump occurs automatically when commanding the disengagement of the differential and vice versa.

## Examples of application



■ Versions



description	KIT code	only PTO code
(1) Total Vertical split pto kit without pneumatic clutches inside	6.870000200-1	6.923100606-1
(2) Total Vertical split pto with 1 pneumatic clutch exit automatic lubricate oil pump	42331100018	47110000054



# **MORO KAISER** **COMPONENTS**

**MORO KAISER S.R.L.**

Via Pontebbana, 16  
33080 FIUME VENETO (PN) ITALY

Tel. 0434 951.211

Fax: 0434 957.786

[infomoro@morokaiser.it](mailto:infomoro@morokaiser.it)